

High Current SMD Power Inductors - SEP0402EE SERIES



PART NUMBERING SYSTEM

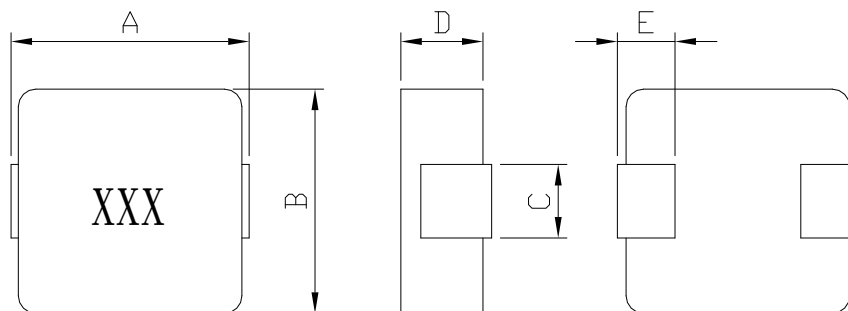
SEP	0402EE	—	4R7M	—	LF
TYPE	DIMENSIONS		INDUCTANCE		LEAD FREE

FEATURES :

- Low profile (2.0mm max. height) and 4.45 mm max. square.
- Magnetically shielded and low DC resistance and Suitable for large current .
- Ideal for DC – DC converter inductor application in hand help personal Computer ,etc .
- Frequency range up to 5MHZ .
- Large current handling capability .

SHAPES AND DIMENSIONS :

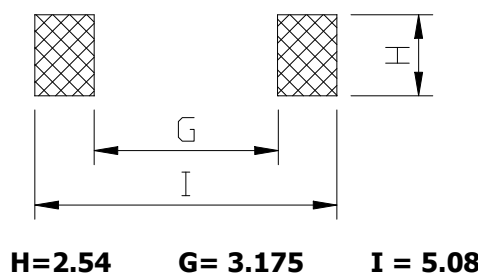
UNIT : mm



A=4.45±0.3 B=4.06±0.3 C=2.0±0.3 D=2.0 Max. E=0.76±0.3

RECOMMENDED PATTERNS

UNIT : mm



H=2.54 G= 3.175 I = 5.08

High Current SMD Power Inductors - SEP0402EE SERIES

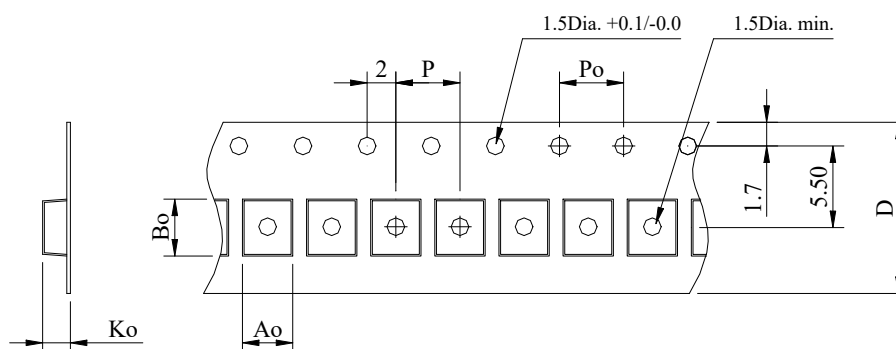


SPECIFICATION TABLE

PART NUMBER	INDUCTANCE (μH)	Isat (A) (Typ.)	Irms (A) (Typ.)	DCR (mΩ) (Max.)	TEST FREQ. (Freq.)
SEP0402EE-R68M-LF	0.68±20%	8.0	5.2	21.0	100KHz/0.5V
SEP0402EE-1R0M-LF	1.0±20%	7.0	4.5	27.0	100KHz/0.5V
SEP0402EE-1R2M-LF	1.2±20%	7.0	4.5	27.0	100KHz/0.5V
SEP0402EE-1R5M-LF	1.5±20%	6.0	4.0	46.0	100KHz/0.5V
SEP0402EE-2R2M-LF	2.2±20%	5.0	3.0	58.0	100KHz/0.5V
SEP0402EE-3R3M-LF	3.3±20%	4.0	2.5	87.0	100KHz/0.5V
SEP0402EE-4R7M-LF	4.7±20%	3.0	2.2	105.0	100KHz/0.5V
SEP0402EE-6R8M-LF	6.8±20%	2.1	2.0	178.0	100KHz/0.5V
SEP0402EE-8R2M-LF	8.2±20%	2.0	1.8	207.0	100KHz/0.5V
SEP0402EE-100M-LF	10.0±20%	1.8	1.6	282.0	100KHz/0.5V

- I sat : DC current at which the inductance drops 30% (Max.) from its value without current.
- I rms : Average current for a 40°C temperature rise above 25°C ambient.
- Operating temperature range -55°C to +125°C , Electrical specifications at 25°C.

PACKAGING SPECIFICATION



STAYLE	Q' TY (PCS)	DIMENSIONS (m/m)					
		A_o	B_o	K_o	P	P_o	$D\pm 0.3$
13"	2,000	4.5 ± 0.1	5.5 ± 0.1	2.3 ± 0.1	12	4.0	12